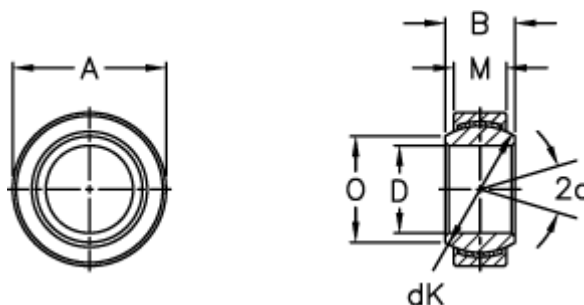


Article number: 03440016

Description: Fluro Rod end GE 16EC

Measures



A	= 30 0 -0,009	Tilt angle = 10
B	= 14	Weight = 43
D	= 16 0 -0,008	
dK	= 25	
Dynamic load C (kN)	= 22.5	
M	= 10	
O	= 20.7	
Static load C0 (kN)	= 56	